

Development Kit for BT800 - Bluetooth v4.0 USB HCI module

Application Note

v1.0

Part # DVK-BT800

Applicable to the following Bluetooth module part numbers:
BT800 Revision 1.0 onwards

OVERVIEW

Laird's Development Kit (DVK-BT800) provides a platform for rapid prototyping of wireless connectivity options for BT800-series modules through a USB interface attached on customer platforms.

This manual is for the development PCB which is DVK-BT800 R1.0 on PCB.

Introduction

The Laird DVK-BT800 is designed to support the rapid development of applications and evaluation for the specific Laird Bluetooth module part number BT800. In depth documentation for this product is available at:

<http://www.lairdtech.com/products/bt800>

Package Contents



Each DVK-BT800 includes the following items:

Development Motherboard	The motherboard has the BT800 module already soldered onto it and it exposes all the various hardware interfaces available.
USB cable – USB A Type Male to USB A Type	The USB cable can be used to power, control, and configure the BT800.
Insert Card	Provides links to additional information including the BT800 User Manual, Utilities, Schematics, Quick Start Guides and more.

DVK-BT800 – Main Development Board

The development board allows the Laird Bluetooth module to be connected to a PC. The development board provides USB interface linking to the PCB and the BT800 host interface. Bluetooth driver is automatically installed when the development board is plugged into a PC running Microsoft Windows. Windows 8 provides native support of BT 4.0. Windows 7 and XP provide native support of BT 2.1 and BT 2.0 respectively. The development board is recognized as "Generic Bluetooth Adapter" in Windows Device Manager.

BT800 Bluetooth 4.0 Dual mode module Development Kit (DVK-BT800)

Application Note

GETTING TO KNOW THE DEVELOPMENT BOARD

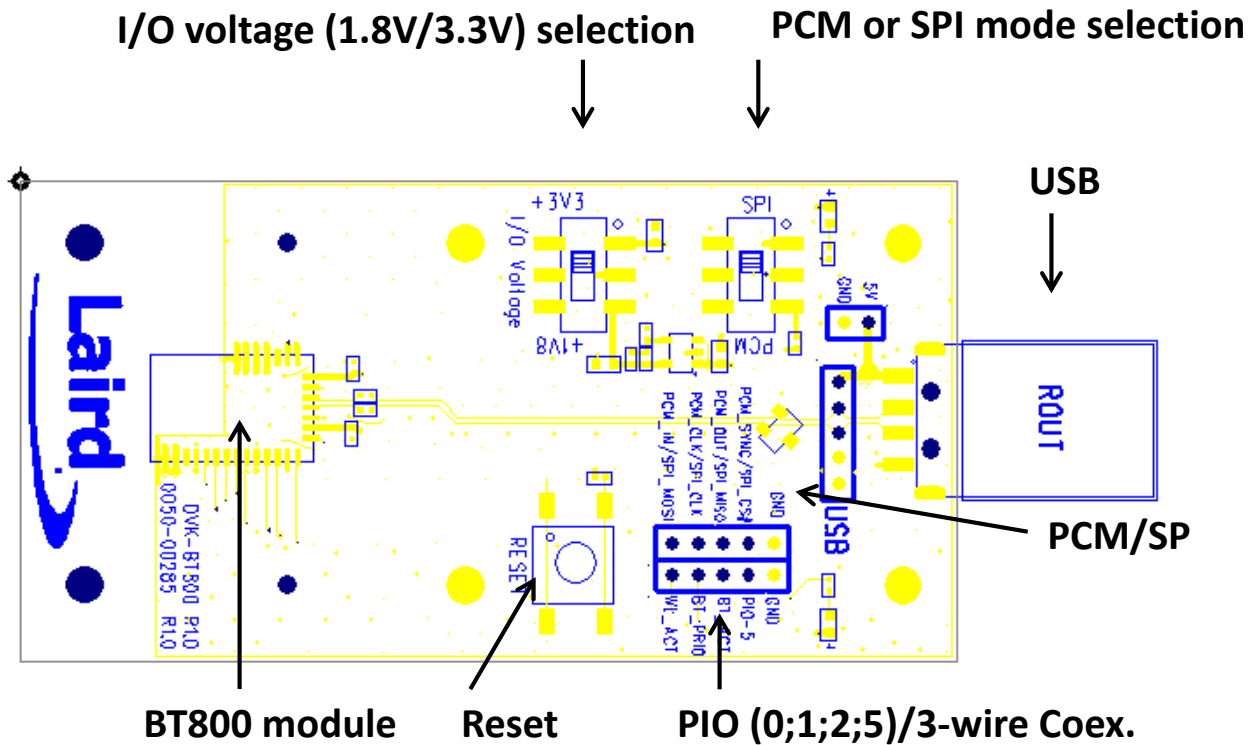


Figure 1: Main DVK-BT800 Board

POWER SUPPLY

The Power Supply voltage for the BT800 DVK is shown in Table 1.

Table 1: BT800 DVK Power Supply voltage

	Minimum	Typical	Maximum
Input Voltage	4.5V	5V	5.5V

The developer kit includes a USB cable to provide power to the development board. This should be plugged into a PC USB port, a USB hub, or a mains adapter with a USB output. If a hub is used, it should be a powered USB hub to ensure that sufficient current is available at the port being used. The BT800 module can be driven by the current available at a USB port.

The low noise LDO (U2) on the DVK-BT800 provides the 1.8 V out to support the I/O voltage configuration.

INTERFACE SPECIFICATION

Pin Header – CON2

The DVK-BT800 provides the PCM or SPI mode on CON2 which is configured through S1 (see Fig2.)

The pin descriptions of CON2 in PCM/SPI mode are shown in [Table 2](#).

Table 2: CON2 pin descriptions

CON2	Description (PCM/SPI)	Direction
Pin-1	PCM_IN/SPI_MOSI	Input
Pin-2	PCM_CLK/SPI_CLK	I/O
Pin-3	PCM_OUT/SPI_MISO	Output
Pin-4	PCM_SYNC/SPI_CS#	I/O
Pin-5	GND	-

Customers can configure the PCM or SPI for various methods of operation via CSR's PStools.

Pin Header – CON3

There are four PIO signals (PIO-0, PIO-1, PIO-2, PIO-5) presented on CON3. These four PIOs can be used for LED indication or Wi-Fi and BT coexistence. The default setting on the BT800 is to support Wi-Fi and BT coexistence.

Detail descriptions are listed in [Table 3](#).

Table 3: CON3 Pin descriptions

CON3	Description	Direction	
Pin-1	WLAN_ACTIVE (Default) Or PIO-0	Input	An input to request the pre-emption of Bluetooth activity.
Pin-2	BT_PRIORITY (Default) Or PIO-1	Output	An output to indicate packet priority and transfer direction
Pin-3	BT_ACTIVE (Default) Or PIO-2	Output	An output to indicate Bluetooth activity
Pin-4	PIO-5	I/O	Not used. Leave it unconnected.
Pin-5	GND	-	

There are two LED indicators on the DVK-BT800. The LED1 (D2) is controlled by BT_PRIORITY/PIO-1 and the LED2 (D3) is controlled by WLAN_ACTIVE/PIO-0. In the default PSkey setting (enable Wi-Fi and BT coexistence mode), LED1 is always ON and LED2 is always OFF.

BT800 Bluetooth 4.0 Dual mode module Development Kit (DVK-BT800)

Application Note

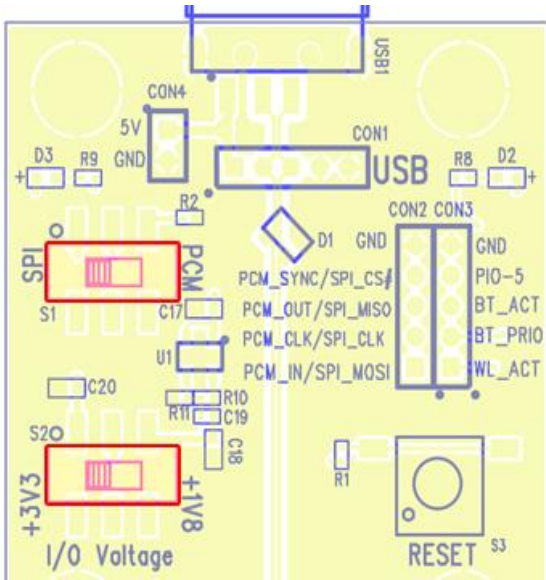


Figure 2: S1 and S2 settings

PUSH BUTTON and SWITCH Configuration

Switch S2 on the DVK-800 is used to select I/O voltage level between 1.8 V or 3.3 V). This allows you to select a suitable I/O signal voltage level when connecting the DVK-BT800 to your platform.

S3 (push button TACT switch) provides a reset signal to reset the BT800 module.

Table 4: Push button descriptions

Push Button	Label on DVK-BT800 PCB	Description
S1	PCM SPI	Select the PCM or SPI mode on CON2
S2	+3V3 +1V8	Select the I/O voltage to 3.3V or 1.8V
S3	Reset	Reset the BT800 module

PSKEYS CONFIGURATION

PSkeys for various functions such as LED status or WLAN coexistence may be configured via USB or SPI interface. For SPI interface, a USB-SPI adapter is required. For USB interface, a special USB driver is required.

BlueSuite, a utility by Cambridge Silicon Radio, must be installed on the PC as well. This section covers how to install the SPI adapter, and the special USB driver only. For the exact procedure using BlueSuite’s PStools over these interfaces, please refer to the BT800 WLAN Coexistence and LED Status application note, found in the documentation tab of the [BT800 product page](#).

Installing CSR USB driver

When the BT800 development board is first plugged into the PC USB port, Windows installs the driver automatically. It is recognized as the “Generic USB Adapter” in the Windows device manager (Figure 3).



Figure 3: Generic Bluetooth Adapter in Device Manager

BT800 Bluetooth 4.0 Dual mode module Development Kit (DVK-BT800)

Application Note

Complete the following steps to install the CSR USB driver:

1. Right-click on **Generic Bluetooth Adapter**, then click **Update Driver Software**.

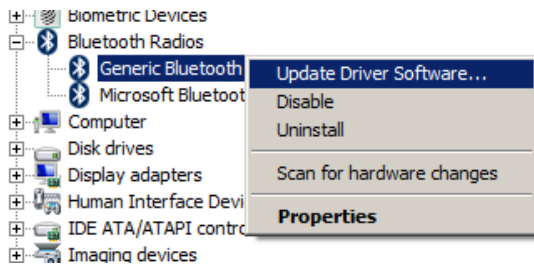


Figure 4: Contextual Rollout

2. Select *Driver* tab and click **Update Driver**.

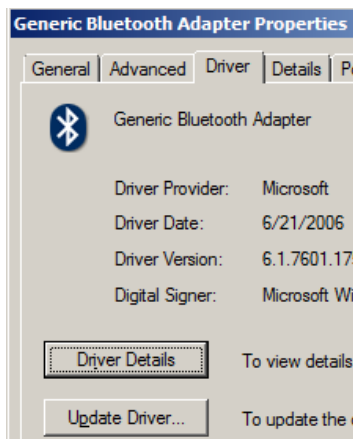


Figure 5: Update Driver button in Properties panel

3. Click **Browse my computer for driver software**.
4. Click **Let me pick from a list of device drivers on my computer**.
5. Click **Have Disk**.

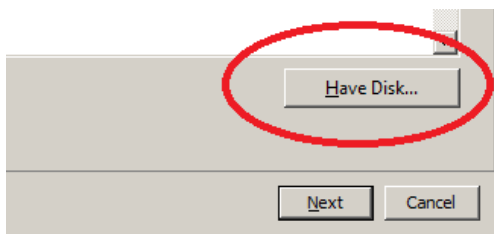


Figure 6: "Have Disk" button

6. Navigate to where the CSR driver is located on your computer, and select *CSRBlueCoreUSB.inf*. Proceed through the windows until software installation is complete.

BT800 Bluetooth 4.0 Dual mode module Development Kit (DVK-BT800)

Application Note

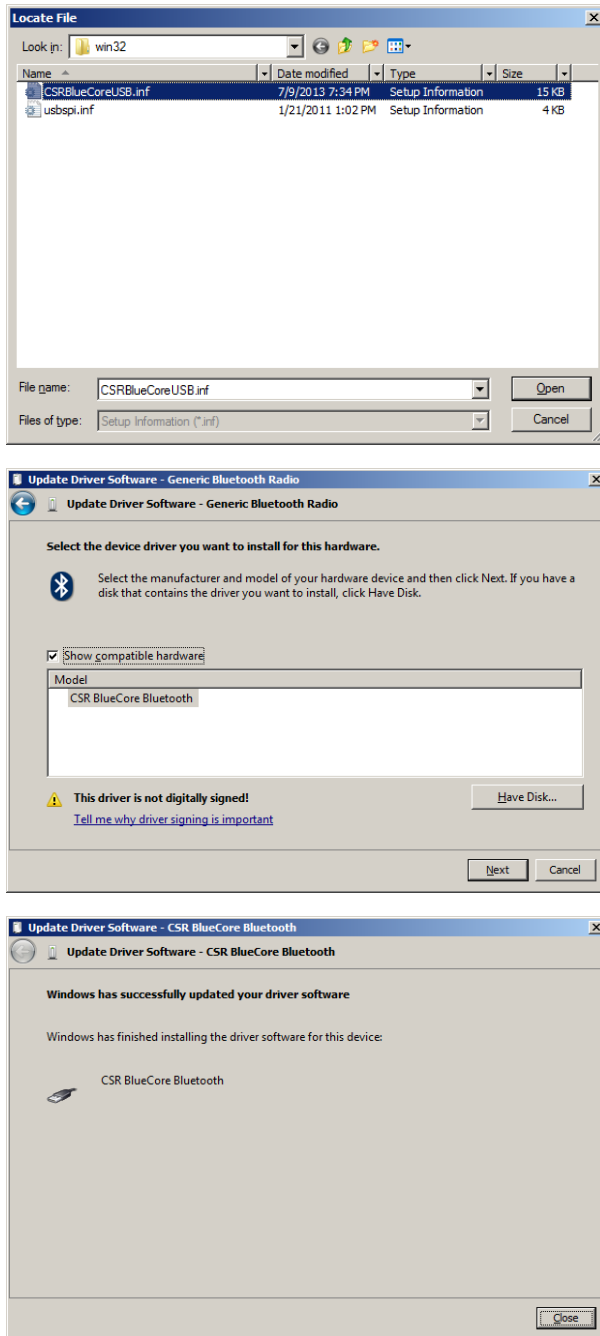


Figure 7: CSR USB Driver installation

The BT800 development board is now recognized as *CSR BlueCore Bluetooth* in Windows device manager. It can be found by expanding *Universal Serial Bus controllers*.

BT800 Bluetooth 4.0 Dual mode module Development Kit (DVK-BT800)

Application Note



Figure 8: CSR BlueCore Bluetooth in Device Manager

If you are not planning to use the SPI adapter, you can skip to [Open PStools](#).

CSR USB-SPI Adapter

The USB-SPI adapter comes with an RJ45 cable. Cut the RJ45 cable in halves. Plug in the RJ45 jack to the adapter and connect the opened end to the development board.



Figure 7: CSR USB SPI adaptor

Table 5 details RJ45 pins and their corresponding SPI signals.

Table 5: RJ45 to SPI wiring

Signal	RJ45 Connector Pin
SPI_CS8	1
SPI_MOSI	5
SPI_CLK	7
SPI_MISO	3
GND	8

BT800 Bluetooth 4.0 Dual mode module Development Kit (DVK-BT800)

Application Note

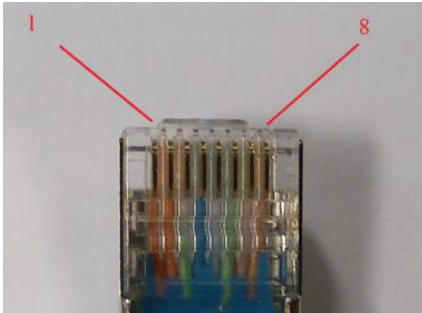


Figure 8: Wire numbering in RJ45 jack

Open PStools

After invoking PStools, customers must select either USB transport or SPI transport to access the PSkeys.

On the BT800 DVK board, there is a 10-pin header for SPI and WLAN Coexistence, and SPI/PCM switch. If SPI interface will be used for opening PStools, set the SPI/PCM switch to the SPI position before connecting the board to your PC.

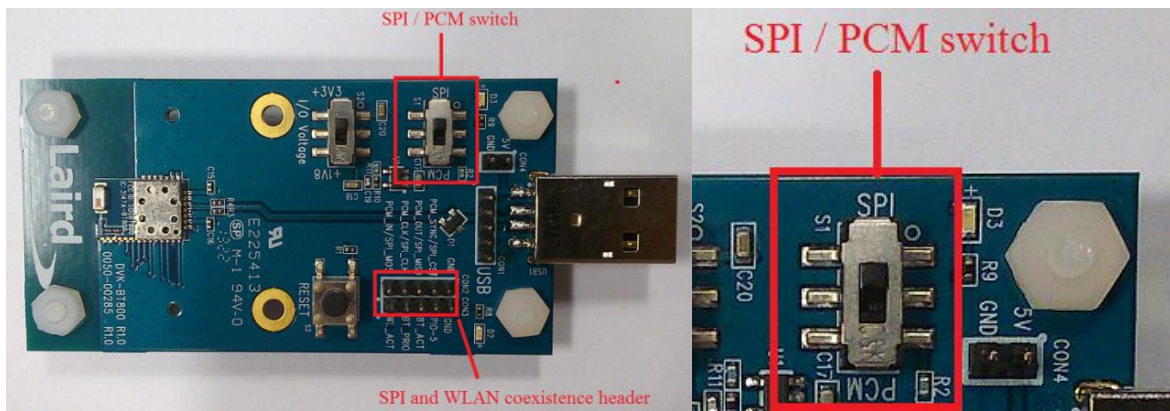


Figure 9: BT800 DVK Board, SPI/PCM switch set to SPI

In PStools, select either USB or SPI transport as shown in Figure 10 and Figure 11.

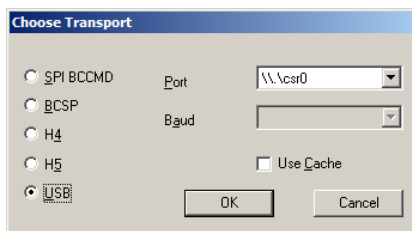


Figure 10: Selecting USB transport

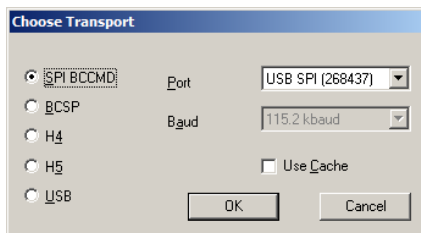


Figure 11: Selecting SPI transport

BT800 Bluetooth 4.0 Dual mode module Development Kit (DVK-BT800)

Application Note

PStools first reads all the PSkeys from the module. This process takes about 10 seconds, and then the screen in [Figure 12](#) appears with “Bluetooth Address” highlighted on the list, and MAC address shown on the right. The Bluetooth address of your module will be different. The address is unique. Do not attempt to change it, or you might put the module in nonoperational condition.

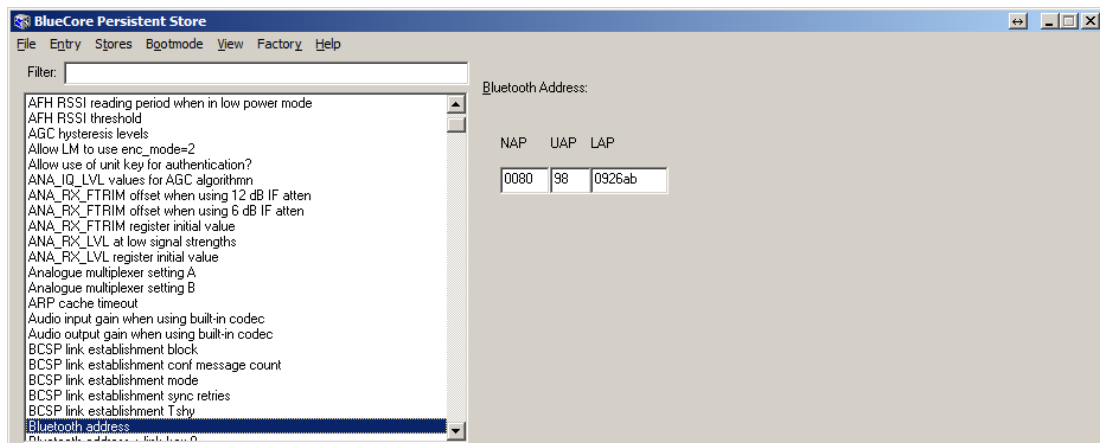


Figure 12: PStools opened successfully

ADDITIONAL DOCUMENTATION

Laird offers a variety of documentation and ancillary information to support our customers through the initial evaluation process and ultimately into mass production. Documentation is found on the documentation tab of the [BT800 product page](#). Additional documentation includes:

- BT800 WLAN Coexistence and LED Status Application Note
- BT800 Development Kit Application Note
- BT800 Hardware Integration Guide
- BT800 – Class 1 BT4.0 Dual Mode HCI module – Datasheet
- BT800 and Linux / Android Quick Start Guide

For queries or to receive local support for the DVK-BT800 or BT800 module, contact wireless.support@lairdtech.com

REVISION HISTORY

Revision	Date	Description	Approved By
1.0	5 Sept 2013	Initial Release	Jonathan Kaye